

# Magnetic Encoder WDG 24C



Protection rating IP67 all-round



Individual fastening bores

**NEW**

- Protection rating up to IP67 all-round
- Individual fastening bores for easy mounting
- Very compact design:  $\varnothing$  24 mm
- Highest shaft load: 80 N radial, 50 N axial
- Operation temperature: -40 °C to +80 °C
- For use under rough conditions





# Magnetic encoder WDG 24C

## Application fields:

Small electric motors, automated guided vehicle systems (AGVS), storage technology, drive systems, assembly systems.

**Available PPR:** 1 ... 128, 256, 512, 1024

## Mechanical Data:

Housing

- Synchro flange: Aluminium  
- Rear: Aluminium

Shaft

- Material: stainless steel  
- Permitted load on shaft end: max. 80 N radial, max. 50 N axial  
- Starting torque: approx. 0.2 Ncm at ambient temperature

Bearings

- Type: 2 precision ball bearings -  
- Service life: 0,55 x 10<sup>9</sup> U revs. at 100% of full rated shaft load  
8,5 x 10<sup>10</sup> U revs. at 40 %  
6,8 x 10<sup>11</sup> U revs. at 20 %

Max. operating speed: 12.000 rpm

Weight: approx. 50 g

Connections: cable or connector outlet

Protection rating (EN 60529): IP65 all-round, optional IP67 all-round

Operating temperature: -40 °C up to +80 °C

Storage temperature: -40 °C up to +80 °C

## Signal generation:

Scanning: magnetic

## Accuracy:

Phase offset: 90° ± 10°

Pulse/pause ratio: 50 % ± 10 %

## Environmental data:

Measured mounted and housing grounded.

ESD (DIN EN 61000-4-2): 8 kV

Burst (DIN EN 61000-4-4): 2 kV

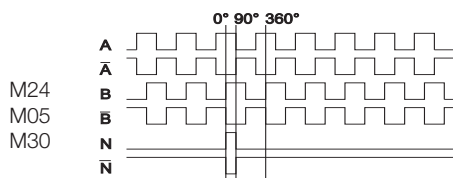
Vibration: (DIN EN 60068-2-6) 50 m/s<sup>2</sup> (10 bis 2000 Hz)

Shock: (DIN EN 60068-2-27) 1000 m/s<sup>2</sup> (6 ms)

## Electrical Data

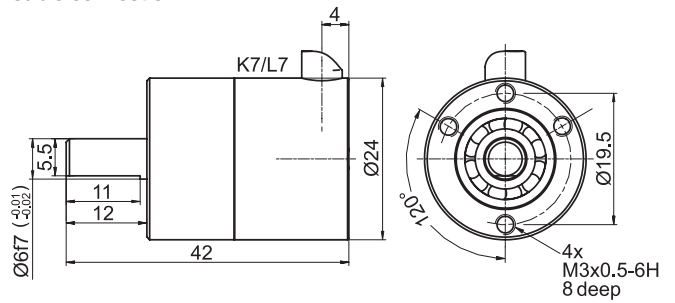
Power supply	Output circuit	Key
10-30 VDC	HTL, inv.*	M24
5 VDC	RS422, TTL comp.*	M05
5-30 VDC	HTL, inv.	M30

\* up to 64 PPR

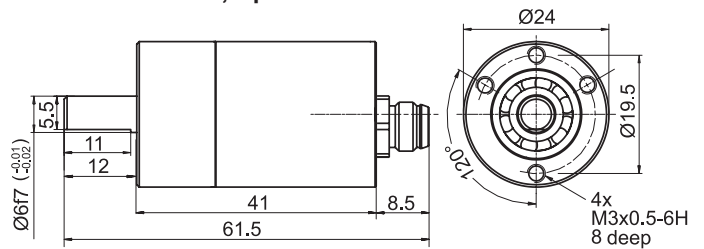


View from shaft end, rotating clockwise

## Cable connection K7



## Sensor connector SK6, 6-pin



All specifications in mm.

## Options:

### Cable length:

The encoder WDG24A can be supplied with more than 2 m of cable. The max. permissible cable length is 10 metres with the output circuit M05 and M24. With output circuit M30 max. 25 m.

### Shafts sealed to IP67:

The encoder WDG 24A can be supplied in a full IP67 version. When ordering please add the suffix code - AAO.

Max. RPM	Permitted Shaft-Loading axial radial	Starting-torque
3.500 min <sup>-1</sup>	30 N 45 N	approx. 1.2 Ncm

Amended specifications for shaft sealed to IP67.

[www.wachendorff-automation.com/wdg24c](http://www.wachendorff-automation.com/wdg24c)

Matching accessories on [www.wachendorff-automation.com/acs](http://www.wachendorff-automation.com/acs)

**Any Questions?** Just call Tatjana Weigelt +49 (0) 67 22 / 99 65 - 25, send her an E-Mail at [tw@wachendorff.de](mailto:tw@wachendorff.de) or call your local distributor.



Wachendorff Automation GmbH & Co. KG  
Industriestrasse 7 • D-65366 Geisenheim

Phone: +49 (0) 67 22 / 99 65 - 25  
Fax: +49 (0) 67 22 / 99 65 - 70  
E-Mail: [wdg@wachendorff.de](mailto:wdg@wachendorff.de)  
[www.wachendorff-automation.com](http://www.wachendorff-automation.com)

Please contact your local distributor:

