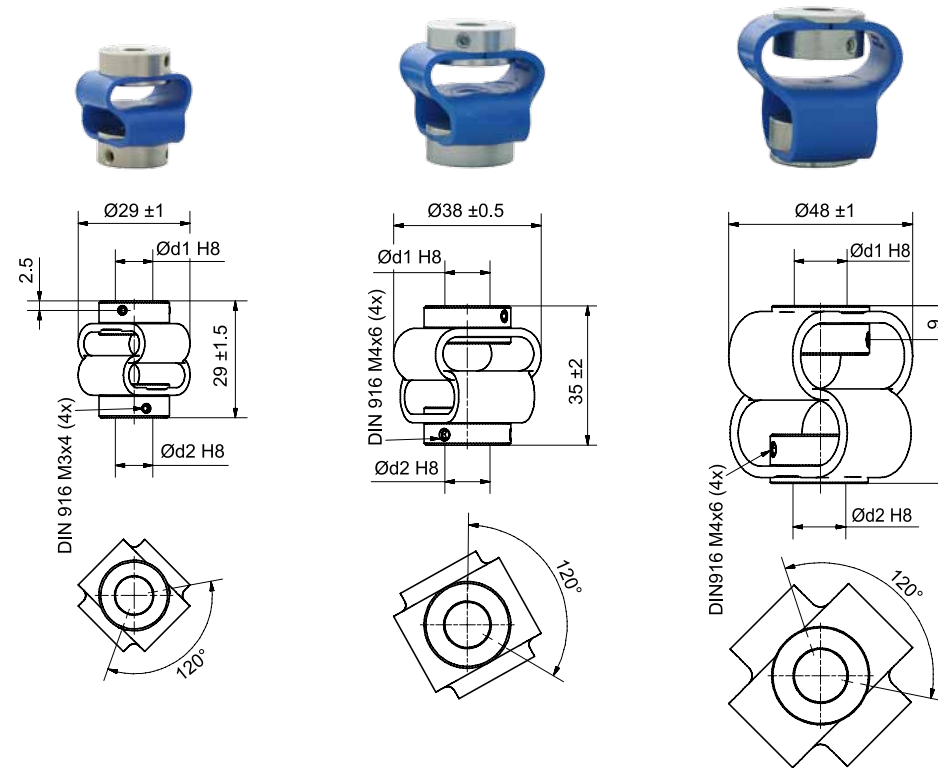


Double loop couplings

Resistant to petrol, oil, benzene, toluenes, alcohol, solvents and other chemicals



Double loop coupling DSK29 Double loop coupling DSK38 Double loop coupling DSK48

3,000 rpm	3,000 rpm	3,000 rpm
50 Ncm	150 Ncm	200 Ncm
±2.0 mm ±2.0 mm ± 10°	±2.5 mm ±3.0 mm ±10°	±3.0 mm ±4.0 mm ±12°
13 Nm/rad	25 Nm/rad	28 Nm/rad
13 N/mm	15 N/mm	7 N/mm
41 gcm ²	104 gcm ²	106 gcm ²
100 Ncm	200 Ncm	100 Ncm
33 g	48 g	85 g
-30 °C up to +80 °C	-30 °C up to +80 °C	-30 °C up to +80 °C

Flange: steel galvanized
connecting element:
polyurethane

Flange: steel galvanized
connecting element:
polyurethane

Flange: steel galvanized
connecting element:
polyurethane

dsk29	dsk38	dsk48
d1 d2 Order no.	d1 d2 Order no.	d1 d2 Order no.
6 6 DSK290606	6 6 DSK380606	10 10 DSK481010
6 10 DSK290610	6 10 DSK380610	10 12 DSK481012
8 8 DSK290808	6 12 DSK380612	12 12 DSK481212
8 10 DSK290810	8 8 DSK380808	14 14 DSK481414
10 10 DSK291010	8 10 DSK380810	
	8 12 DSK380812	
	10 10 DSK381010	
	10 12 DSK381012	
	12 12 DSK381212	

<http://www.wachendorff-automation.com/couplings>



automation.com

www.wachendorff-



The Wachendorff Group

- Delighted customers
- Corporate responsibility
- Attractive for good employees
- Outstanding quality
- Technology leader
- Environmental protection
- Profitable growth

We are a medium-sized owner-managed corporate group based in the beautiful Rheingau district, situated to the west of Wiesbaden.

Competent, personal, face-to-face advice and long-term collaboration with our business partners are the cornerstones of our continual growth. We are certified according to DIN ISO 9001 and DIN ISO 14001.

Wachendorff Automation GmbH & Co. KG

The development and manufacturing of rotary encoders, engine feedback devices and complete measuring systems for use in a wide range of serial production applications in mechanical and plant engineering. An extensive standard range featuring numerous options and efficient development of customised solutions.

Wachendorff Prozesstechnik GmbH & Co. KG

A reliable supplier since 1978 of robust, high quality industrial devices for visualizing, communicating and processing data in the areas of mechanical, plant and building automation.



Wachendorff Automation GmbH & Co. KG
Industriestrasse 7 • D-65366 Geisenheim

Tel.: +49 (0) 67 22 / 99 65 - 25
Fax: +49 (0) 67 22 / 99 65 - 70
E-Mail: wdg@wachendorff.de
www.wachendorff-automation.com



Your distributor:

Couplings ... as an accessory for encoders



- Wide variety
- Quick and easy to install
- Available from stock



Industrie **ROBUST**

Couplings as an accessory for encoder WDG

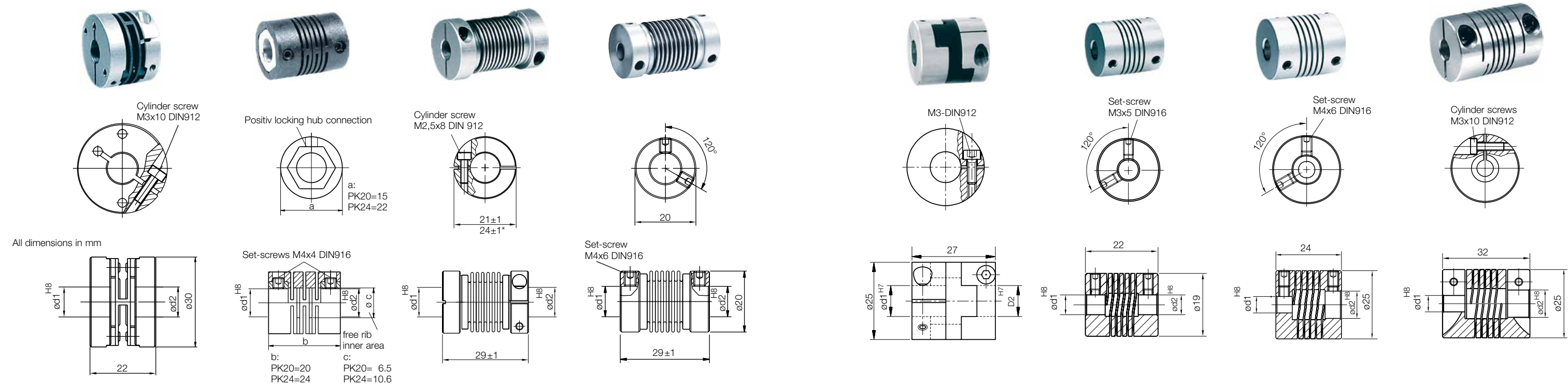
Wachendorff couplings

can compensate for axial, radial and angular misalignment up to certain orders of magnitude, thus protecting the bearings of the encoder against excessive loads. They also prevent negative influences, such as vibrations or strong temperature fluctuations, from affecting the encoder.

The following is a list of important questions when choosing the right coupling:

- Which shaft diameters does it have to connect to, and how much installation space is available?
 - Should the frictional connection between the encoder and the coupling hub be carried out via a screw or a clamp connection?
 - What is the max. rotational speed that the coupling must be able to transfer?
 - What is the torque on the coupling?
 - What is the max. lateral, angular and axial misalignment that must be offset?
 - Is electric insulation required?
 - Is the torsional stiffness sufficient for the application?
- The criteria are the resolution of the encoder and the required accuracy of positioning.

We will be happy to supply you with couplings that match your encoders and meet your requirements. They can be mounted without play, with an optimal fit for the encoders. There is a wide range of couplings to choose from; the respective system will be selected according to the requirements in the application.
www.wachendorff-automation.com/couplings



Below you can find all coupling types, along with their advantages:

- Double loop coupling: high axial offset; made of acid and alkali resistant, insulating plastic.
- Spring disc coupling: pluggable, insulating, efficient.
- Slit coupling: when electrical isolation is required; compact and efficient; made of plastic.
- Bellows coupling: high speed, fast movements.
- Jointed coupling: for difficult installation situations, such as when the encoder completes the shaft and it's no longer possible to access the connection (pluggable) retrospectively; made of insulating plastic, free of play, small size.
- Helical coupling: suitable for reverse operation / change of direction; high torsional stiffness.

Technical Data:

Type	Spring disc coupling FSK22	Slit coupling PK20 / PK24	Bellows coupling BK29	Bellows coupling FB29B	Jointed coupling ST27	Helical coupling WK22	Helical coupling WK24	Helical coupling WK32
Max. operating speed	12,000 rpm	12,000 rpm / 10,000 rpm	10,000 rpm	10,000 rpm	10,000 rpm	8,000 rpm	8,000 rpm	6,000 rpm
Max. torque	60 Ncm	30 Ncm / 80 Ncm	120 Ncm	120 Ncm	100 Ncm	60 Ncm	100 Ncm	120 Ncm
Max. offset of shafts	radial: ± 0.3 mm axial: ± 0.4 mm angular: ± 2.5°	radial: ± 0.3 mm axial: ± 0.2 mm / ± 0.3 mm angular: ± 2.5° / ± 3°	radial: ± 0.25 mm / ± 0.30 mm* axial: ± 0.4 mm angular: ± 4°	radial: ± 0.25 mm axial: ± 0.4 mm angular: ± 4°	radial: ± 0.1 mm axial: ± 0.3 mm angular: ± 0.5°	radial: ± 0.25 mm axial: ± 0.4 mm angular: ± 3.5°	radial: ± 0.3 mm axial: ± 0.5 mm angular: ± 4°	radial: ± 0.35 mm axial: ± 0.5 mm angular: ± 4°
Torsion spring stiffness	30 Nm/rad	12 Nm/rad / 38 Nm/rad	150 Nm/rad	150 Nm/rad	18 Nm/rad	9 Nm/rad	20 Nm/rad	18 Nm/rad
Radial spring stiffness	45 N/mm	45 N/mm / 115 N/mm	25 N/mm	25 N/mm	-	40 N/mm	60 N/mm	50 N/mm
Moment of inertia	35 gcm ²	2 gcm ² / 7 gcm ²	9 gcm ² / 15 gcm ² *	8 gcm ²	79 gcm ²	6.7 gcm ²	22.2 gcm ²	30 gcm ²
Max. clamping torque	120 Ncm	70 Ncm / 120 Ncm	100 Ncm	150 Ncm	188 Ncm	80 Ncm	120 Ncm	120 Ncm
Weight approx.	30 g	6 g / 10 g	15 g / 17 g*	15 g	25 g	13 g	26 g	35 g
Temperature	-10 °C up to +80 °C	-10 °C up to +80 °C	-30 °C up to +120 °C	-30 °C up to +120 °C	-30 °C up to +120 °C	-30 °C up to +150 °C	-30 °C up to +150 °C	-30 °C up to +150 °C
Material	Flange: Aluminium, anodised Membran: Polyamid 6.6, fiberglass reinforced	Polyamid fiberglass reinforced, Hubs: brass	Flange: Aluminium, anodised, Bellows: stainless steel	Flange: Aluminium, anodised, Bellows: stainless steel	Hub: Aluminium Adapter: POM	Aluminium chromised	Aluminium chromised	Aluminium chromised
http://www.wachendorff-automation.com/	fsk22	pk20 / pk24	bk29	fb29b	st27	wk22	wk24	wk32
Size in mm: Ø d1, Ø d2; order number(s)	d1 d2 Order no. 6 6 FSK220606 6 10 FSK220610 10 10 FSK221010 10 12 FSK221012 12 12 FSK221212	d1 d2 Order no. 6 6 PK200606 6 6 PK240606 6 8 PK240608 6 10 PK240610 8 8 PK240808 8 10 PK240810 10 10 PK241010	d1 d2 Order no. 6 6 BK290606 6 10 BK290610 6 12 BK290612* 8 8 BK290808 10 10 BK291010 10 12 BK291012* 12 12 BK291212*	d1 d2 Order no. 4 4 FB29B0404 4 6 FB29B0406 6 6 FB29B0606 6 10 FB29B0610 6 12 FB29B0612 8 8 FB29B0808 10 10 FB29B1010 10 12 FB29B1012 12 12 FB29B1212	d1 d2 Order no. 6 6 ST270606 10 10 ST271010	d1 d2 Order no. 6 6 WK220606	d1 d2 Order no. 6 6 WK240606 6 8 WK240608 6 10 WK240610 8 8 WK240808 10 10 WK241010 12 12 WK241212	d1 d2 Order no. 06 10 WK320610 10 10 WK321010

